



**VIGILANCE I-8X16 DIGITAL  
NIGHT VISION MONOCULAR**

**USER MANUAL**



**FF I 8000**



The Firefield™ brand has recently launched with products designed to maximize every intense moment. Originally designed for consumers who need products to hold up to heart pounding, fast-paced combat in the field with Xtreme shooting sports, Firefield™ has crossed over to service customers with hunting and tactical needs as well.

Firefield™ offers quality products with the outdoor enthusiast and shooting fanatic in mind that are affordable to the masses. Prepare for victory with the latest Firefield™ products!

The Firefield™ brand consists of riflescopes, laser sights, boresights, tactical flashlights, reflex sights, AK and Quad Rail mounts, binoculars and other shooting accessories. Firefield™ products are compatible with paintball, airsoft, AR15, shotguns and pistols.

Firefield™ concentrates on providing the consumer with products for fast-paced situations while being durable, yet affordable. Firefield™ works diligently creating products to serve the next generation of fast-paced gun enthusiasts. Transform fears into glory and excitement with Firefield™! —Victory Justifies Everything®

© Sellmark Corporation, all rights reserved

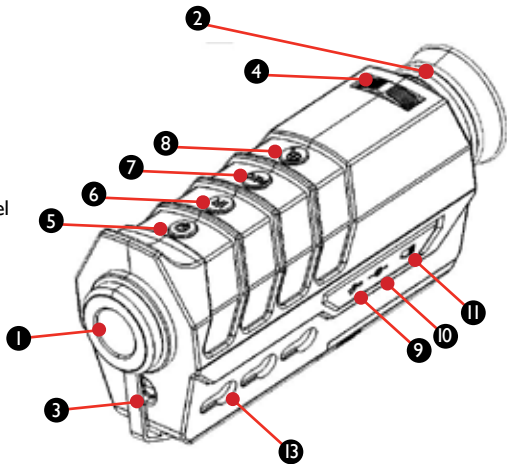
[www.fire-field.com](http://www.fire-field.com)

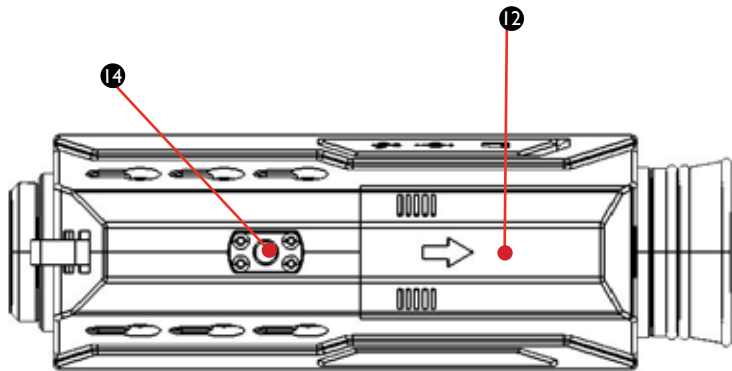
## **ABOUT FIREFIELD VIGILANCE I-8X16 DIGITAL NIGHT VISION MONOCULAR**

The Firefield Vigilance I-8x16 Digital Night Vision Monocular doesn't light the way to victory, it gets you there under cover of darkness. Ready to run day or night, the lightweight, compact and ergonomic Vigilance Night Vision Monocular exposes every low-light mission obstacle with a 640x480 high-resolution CMOS sensor, ultra-clear LCD display, 1x magnification with 8x zoom and an onboard 850nm, 150-watt adjustable infrared illuminator. Built as tough as the warriors it was designed for, the Firefield Vigilance I-4x16 Digital Night Vision Monocular boasts IP55 weather resistant protection in a rugged composite body and is a hero in operating temperatures from 4° to 122°F. While the Firefield Vigilance is powered by 3x AA batteries with a runtime of 9 – 12 hours, depending on IR illumination. An 8gb memory card, lens cloth and lanyard also are included.

# DIAGRAM

1. Objective lens
2. Eyepiece
3. IR Illuminator
4. Diopter focus
5. Power/record/play
6. IR power button and brightness level
7. Record playback button
8. Digital zoom button
9. USB port
10. Video output
11. SD card slot
12. Battery cap
13. Keymold slots
14. Tripod adapter

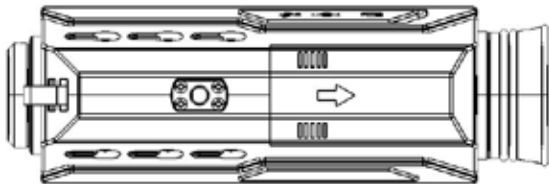




# INSTALLING THE BATTERY

The Firefield Vigilance 1-8x16 Digital Night Vision Monocular is powered by 3 AAA batteries. Should the unit not turn on the batteries need to be replaced. To install a new battery:

1. Slide the battery cap (12) off the bottom of the unit.
2. Remove the old batteries.
3. Insert new batteries as indicated inside the battery compartment.
4. Attach the battery cap back onto the unit.



## ON/OFF ACTIVATION

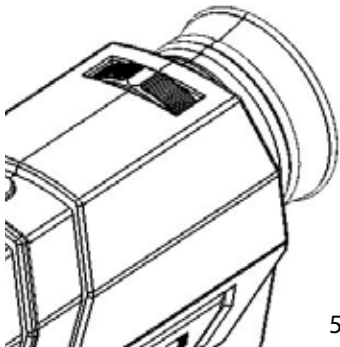
In order to activate the Firefield Vigilance 1-8x16 Digital Night Vision Monocular

1. Locate the power button (5) on top of the unit.
2. Push the button to turn on the unit. While looking through the eyepiece the Firefield splash screen will appear for a few seconds. After this, the unit will begin to display the image.
3. To turn off the unit, hold down the power button for 3 seconds until the display turns off.

## DIOPTER ADJUSTMENT

The Firefield Vigilance 1-8x16 Digital Night Vision Monocular is designed to adjust for diopter. The diopter is the measurement of the eye's curvature. People's eyes are all curved differently. If the display does not appear clear, crisp, nor sharp, rotate the eyepiece until the image becomes clear and sharp. This adjustment should stay the same unless the operator changes. To adjust the eyepiece:

1. Locate the diopter focus wheel (4) on the top of the unit.
2. While looking through the eyepiece, rotate the wheel until the display and its icons are clear and crisp.



## USING THE IR ILLUMINATOR

The Firefield Vigilance I-8x16 Digital Night Vision Monocular is equipped with a built-in IR illuminator (3). The IR illuminator provides ample IR light to enhance imaging for viewing long distances. To activate the IR illuminator:

- 1) Locate the IR Illuminator power button (6)
- 2) Push the IR button to turn on the IR. The unit's night vision mode will activate and the display will turn to black and white
- 3) Press the IR button to change the brightness. There are 3 settings: low (NL:1) , medium (NL:2) , and high (NL:3). Each press changes the setting starting from low, to medium, to high, and then off.

## USING RECORDING

The Firefield Vigilance I-8x16 Digital Night Vision Monocular includes a microSD memory card for built-in recording. This allows the image to be recorded and later saved to a PC. The included memory card may already be installed in the unit. If installing a larger capacity card first remove the included card from the unit. To record:

1. First locate the memory card slot (11) underneath the rubber cover on the side of the unit.
2. Insert the included microSD memory card into this slot.



3. Next, locate the record button (7) on top of the unit.
4. To begin recording, the unit must be turned on. Press the record button once to start recording. The numbers at the bottom, right of the screen will turn from white to red and start a timer.
5. To stop recording, press the record button again. The numbers will return to white and indicate the approximate remaining recording time left on the memory card.

To playback video:

1. Press the record playback button (7).
2. This will show the latest recorded video.
3. To scroll through videos, press the digital zoom button (8). Each press will move to the next video.
4. To play the video, press the play button (5).

## **USING VIDEO OUTPUT**

The Firefield Vigilance I-8xI6 Digital Night Vision Monocular is equipped with video output that is useful for viewing images or video on a larger display. To connect the Vigilance I-4xI6 Digital Night Vision Monocular is an external display:

1. Locate the video output port (I I) on the side of the unit located underneath the rubber cover.
2. Connect the plug from the video cable into the unit.
3. Plug the video output cable (yellow cable) into a monitor with composite input or TV. The TV or

display's input signal may need to be selected to composite.

4. Turn the unit on to operate.

## **MOUNTING A TRIPOD**

The Firefield Vigilance 1-8x16 Digital Night Vision Monocular is equipped with a built-in tripod mount that allows the unit to mount onto most aftermarket tripods and window mounts. The built-in tripod mount can be used with any tripod or window mount that uses a standard 1/4-20 UNC tripod screw. To mount the tripod:

1. Align the tripod's mounting screw with the socket on the bottom of the unit.
2. Screw the tripod's mounting screw so that the tripod and the unit are completely connected and firmly secured.

## **ATTACHING KEYMOD RAIL**

The Firefield Vigilance 1-8x16 Digital Night Vision Monocular is equipped with built-in keymod sockets that allows most short aftermarket keymod rails to be attached. This allows additional IR flashlights or lasers to be attached to the monocular. To mount the a keymod rial:

1. Align the rail's attachment feet with the sockets on the monocular

2. Set the rail so that the feet are aligned in the monocular and slide the rail forward.
3. Finally, tighten the rail's feet via the hex screws on top of the rail. Tighten until the rail is secured in position.

## MAINTENANCE

Proper maintenance of the Firefield Vigilance 1-8x16 Digital Night Vision Monocular is recommended to ensure longevity. It is recommended that when the unit becomes dirty that it is wiped down with a dry or slightly damp cloth. Blow dirt and debris off all optics and then clean lenses with a lens cleaning cloth. No further maintenance is required.

## WARNING

The Firefield Vigilance 1-8x16 Digital Night Vision Monocular is a digital night vision monocular, this allows the unit to also be used during the daytime without damaging the unit. However, it is not recommended to point the unit at bright light sources such as the sun. Using the unit from cold to warm conditions will cause condensation to form on the lenses. It is recommended to keep the unit in its carry case for 2 to 3 hours when transitioning from cold to warm temperatures.

### WARNING!

- **DO NOT** submerge the unit into water.

- **DO NOT** leave the unit in direct sunlight or rain.
- **DO NOT** expose the unit to high heat as this may damage the unit.
- **DO NOT** connect inappropriate equipment (i.e. headphones) to the power input. This may disable the unit.
- Up to seven light or dark spots on the LCD display is acceptable and not considered defective.

## TROUBLESHOOTING

Proper authorization is required before shipping any product back to Firefield. Failure to obtain authorization could result in your product being returned to the wrong address, lost, or damaged. Firefield is not liable for products returned without authorization.

### **The unit will not turn on:**

1. Check the polarity of the batteries. Reinstall the batteries if necessary.
2. Clean the battery compartment contacts with denatured alcohol and a cotton swab.
3. Install fresh batteries.

### **The IR illuminator will not turn on:**

1. Make sure the rubber lens cap, nor any objects are blocking the IR illuminator.

### **The image is dark:**

1. Make sure the lens caps on the objective lens is removed, and the IR illuminator is on.

**There are light or black dots on the display:**

I. The presence of dots on the display is caused by sensor production technology and is not a defect. No action is required.

**The image is flickering:**

I. This is common if the unit is viewing or pointing in the direction of a bright light source. Cease viewing the bright light source immediately. If flickering in normal dark conditions the unit may need to be returned for service.

## **FIREFIELD WARRANTY**

Please visit **[www.fire-field.com](http://www.fire-field.com)** for warranty details and information.

# NOTES

---

---

---

---

---

---

---

---

---

---

# NOTES

---

---

---

---

---

---

---

---

---

---

[www.fire-field.com](http://www.fire-field.com)